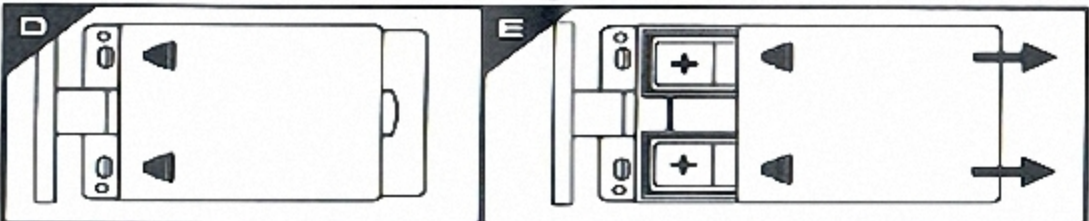
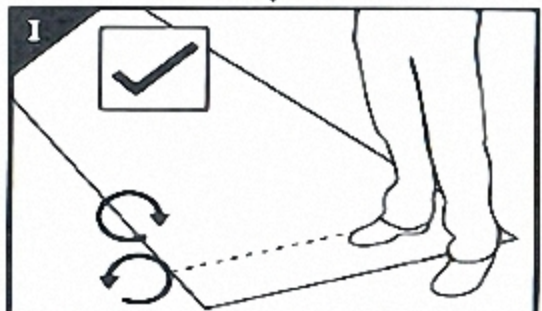
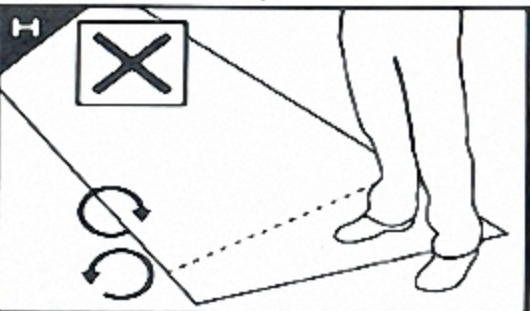
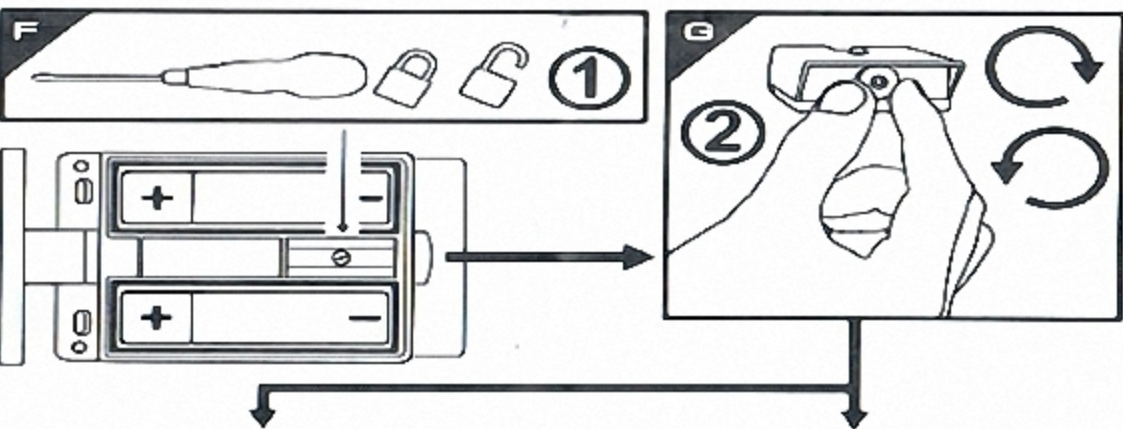


The Laser Oche Uses 2 x AA Batteries (not included)



Adjust Laser Oche to Ensure Throw Line is Straight

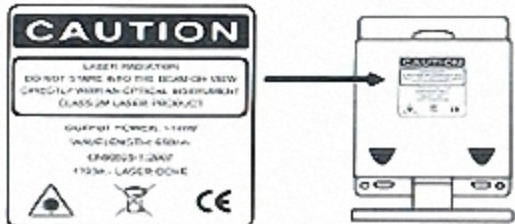


winmau.com

Winmau Dartboard Company Ltd., South Road,
Bridgend Industrial Estate, Bridgend, CF31 3PT, UK

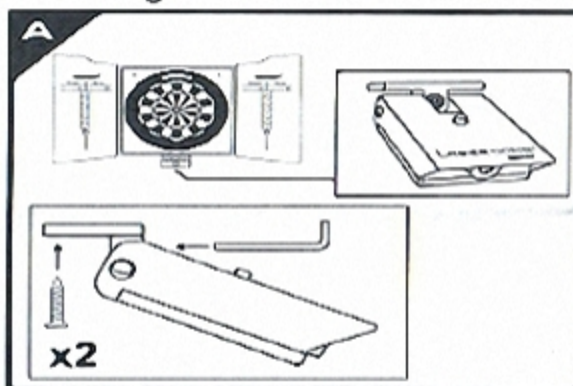
e-mail: info@winmau.com
Tel +44 (0) 1656 767042
Fax +44 (0) 1656 650468

twitter facebook f

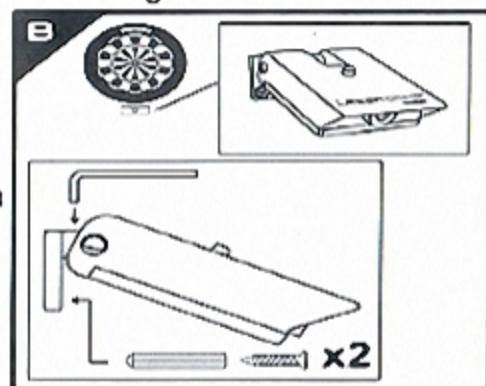


LASER OCHE™

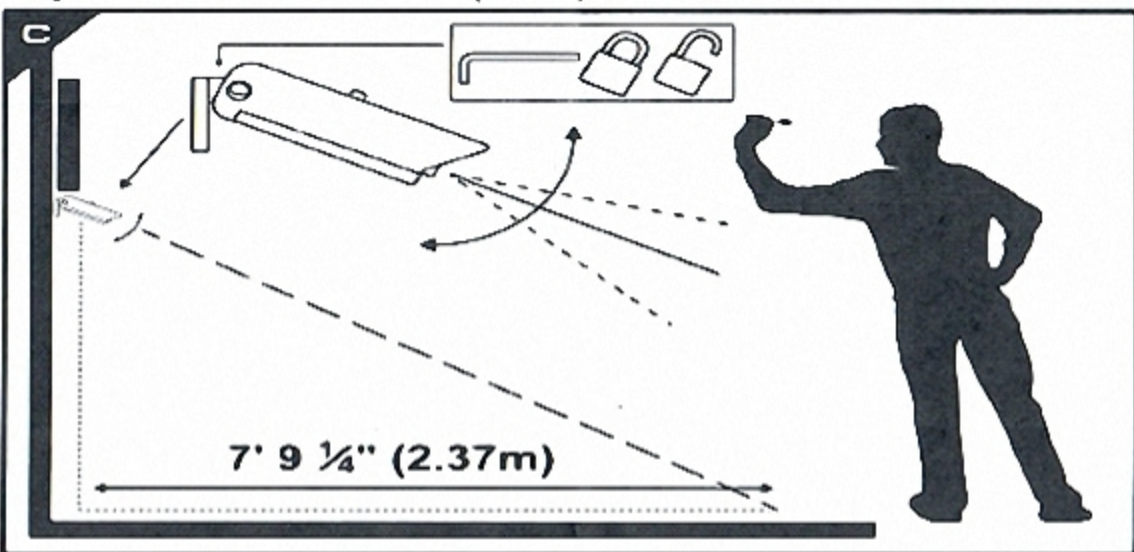
INSTRUCTIONS
Mounting on a Cabinet



Mounting on the Wall



Adjust Laser Line to 7' 9 1/4" (2.37m) from Face of Dartboard



SAFETY INSTRUCTIONS

Failure to follow all warnings may result in bodily injury
IMPORTANT: Read all instructions prior to operating the laser oche.
DO NOT remove any labels from unit.
CAUTION: Please follow all warnings to avoid injury.
DO NOT stare directly into laser beam or view with an optical instrument.
ALWAYS turn the laser off when not in use
WARNING: Darts is an adult sport. It is dangerous for children to play without supervision.

TECHNICAL SPECIFICATIONS

Laser Diode Type	- Red Laser Diode 650nm, 10nm
Laser Class	- CLASS 2M
Output Power	- <1mW
Power Supply	- 3V / AA 2pcs (not included)
Weight	- 3.47 oz. / 98g (excluding battery)

WINMAU™
The Force Behind Darts™